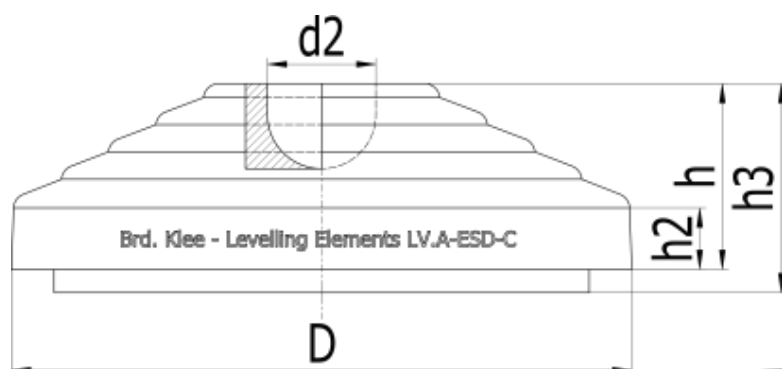


Article number: 2310301751ESD

Description: E+G Antistatic base for levelling elements
LV.A-80-14-AS-ESD-C

Measures



| | |
|-------------|---------|
| D | = 80 |
| d2 | = 14 |
| h | = 24 |
| h2 | = 9 |
| h3 | = 27 |
| N | = 16000 |
| Weight in g | = 53 |